



Highlights:

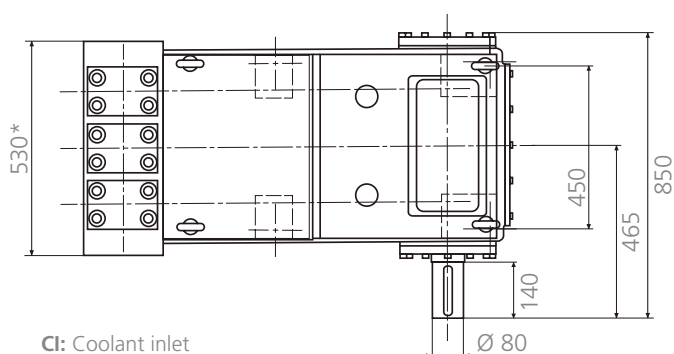
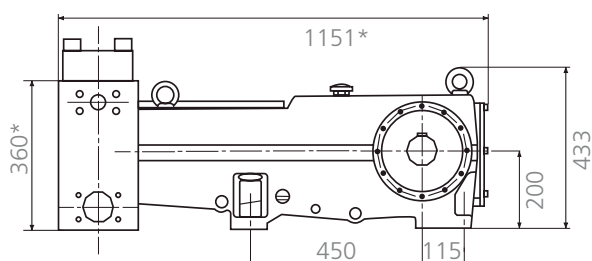
- Energy efficient
- Easy maintenance
- Extremely compact
- Energy efficient
- Extensive accessories, such as our pneumatic intake valve boost (PSVA)
- Low noise

DP 406 | Technical data

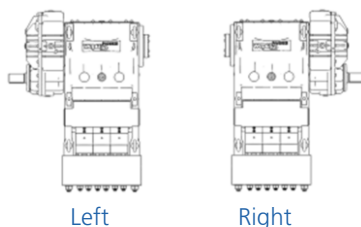
High-pressure triplex plunger pump

Nominal pressure (bar)	Plunger diameter (mm)	Effective volume flow (l / min)									
		25	28	31	36	41	45	50	56	68	78
1000	26	25	28	31	36	41	45	50	56	68	78
800	28	29	32	36	41	47	53	58	65	79	91
630	32	38	42	47	54	63	69	76	86	104	120
500	36	48	54	60	69	79	88	97	109	132	152
400	40	59	66	74	85	98	109	119	135	162	187
315	45	76	85	95	109	125	139	153	173	208	240
250	50	94	105	117	134	154	171	189	213	257	296
200	55	113	126	142	163	187	207	228	258	310	358
160	65	158	177	198	227	261	290	319	360	433	500
125	70	207	231	259	297	341	379	417	471	567	654
Pump speed (min ⁻¹)		45	50	56	65	74	83	91	103	123	142
Shaft power (kW)						X	X	X	X	X	X
Attachement Gear						X	X	X	X	X	

The specified values are based on continuous operation and using water as a working medium.



Definition Attachement Gear



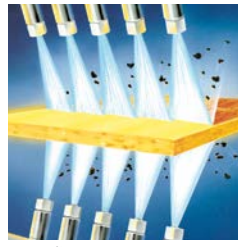
- CI: Coolant inlet
- CO: Coolant outlet
- B: 4x fixing hole dia. 17 mm

Version with integrated water cooling
Weight: approx. 700 kg

All dimensions specified in mm.

Application examples

- Hydraulic drives
- Descaling
- Industrial cleaning
- Deburring
- Hydroentanglement
- And many more applications



Descaling



Forging press drives

Is your application not mentioned here?

Please give us a call. We'll be pleased to advise you.

Design features

- Extremely compact design
- Robust construction suitable for continuous and intermittent operation
- Easily accessible valve inserts
- Excellent suction capacity
- Plungers made of coated stainless steel, ceramic or other high-grade materials
- Low-maintenance drive unit
- Start-up under load possible
- Self-adjusting maintenance-free high-pressure seal
- Maintenance-free low-pressure seal
- Quick-release piston clamp for rapid assembly and maintenance

Accessories

- Pneumatic intake valve boost
- Safety valve
- Recirculating valve
- Pressure regulating valve
- Shut-off valve
- Check valve
- Pressure oil lubrication
- Pulsation damper
- Water or air cooling
- Sound insulation
- Filter units
- Pump controller
- System accessories
- Diagnostic aid
- Further accessories on request

Drive options

- Compact V-belt drive (vertical design)
- V-belt drive
- Gearbox with or without couplings
- Vertical gearbox
- Direct drive (with or without frequency converter)
- Attachment Gear



Wepuko PAHNKE GmbH
Max-Planck-Str. 10
72555 Metzingen
Germany

Tel.: +49 7123 1805-0
Fax: +49 7123 41231
wepuko@wepuko.de
www.wepuko.com

